



Studebaker

AUTOMOTIVE SALES CORP.

SOUTH BEND 27, INDIANA

SERVICE LETTER

SUBJECT WATER LEAK CORRECTIONS - WAGONAIRE MODELS

NUMBER F-1963-1

FROM C. R. MCINTOSH, Manager
Passenger Car Technical Service

DATE December 4, 1962

Weatherseals for the sliding roof panel on the station wagon models, now in production, have been redesigned to provide more effective sealing. The re-designed weatherseals, when properly installed and the linkage of the sliding roof panel correctly adjusted, will provide the desired results.

The new front corner weatherseals are 'L' shaped and supersede the original rubber strips placed on the rear of the main roof panel reinforcement.

The following new weatherseals are available, on order, from your Parts Depot for installation where you encounter a water leak at the sliding roof.

<u>Quantity</u>	<u>Part Number</u>	<u>Part</u>
1	1353898	Seal, Corner R
1	1353899	Seal, Corner L
1	1351634	Weatherstrip, Sliding Roof

The success achieved in correcting water leaks is, of course, in direct relation to accurate diagnosis and effective corrective action. This includes proper adjustment of the sliding roof panel operating linkage.

Test Procedure

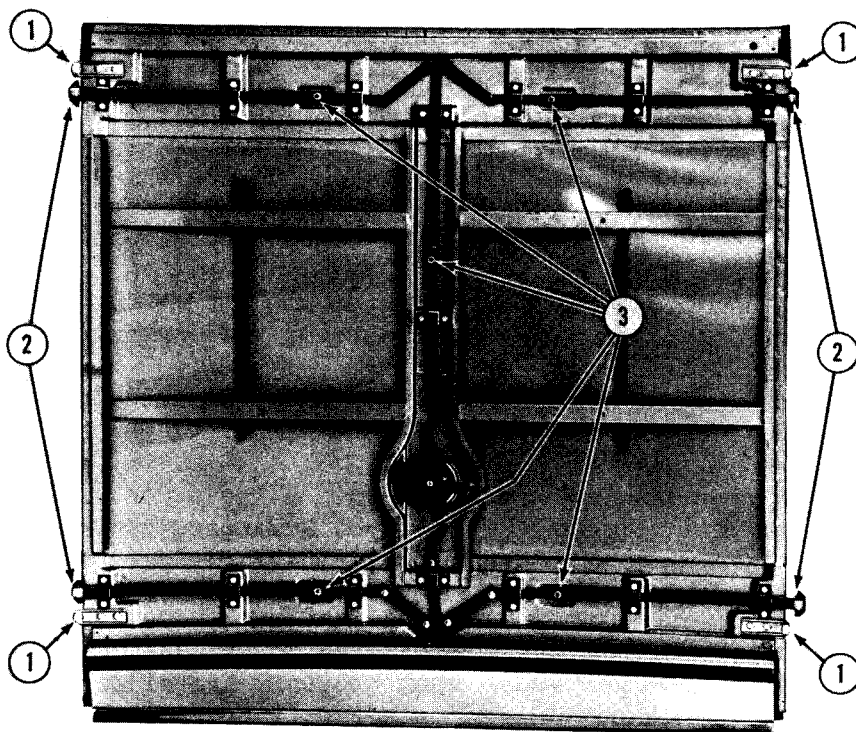
1. Water leak test the body and locate the specific source of leakage.
2. Identify the point of leakage for future reference.
3. Examine the adjustment of the sliding roof panel operating linkage and readjust as required.

Sliding Roof Panel - Adjustment

1. Remove the front and rear headliner retainer moldings from the sliding roof panel.
2. Remove the 4 screws located at each end of each side headliner retaining molding and remove the locking handle and escutcheon plate.

Fig. 1

- 1. Gliding Rollers
- 2. Locking Rollers
- 3. Locking Roller Adjustment



- 3. Bend the headliner downward in the front center, and use a long blade to separate the adhesive and headliner retaining clips which secure the headliner to the sliding roof panel. Then carefully remove the sliding roof panel headliner from the side retainer moldings.
- 4. Reinstall the locking handle, release the mechanism, and lower the roof panel.
- 5. Loosen the sliding roof panel gliding roller brackets (1, Fig. 1) on the panel.
- 6. Support the sliding roof panel upward, then shift the panel as required to obtain proper alignment. (Approximately 5/32" clearance on each side.)
- 7. Move each gliding roller bracket and roller inward toward the center line of the vehicle and tighten the retainer screws securely.
- 8. Release the sliding roof support, then move the sliding roof throughout the full length of travel. It should glide without interference.
- 9. If interference is encountered readjust the offending roller bracket.
- 10. Turn the locking handle in the counterclockwise direction and cause the locking rollers (2, Fig. 1) to extend outward and raise the sliding roof panel upward into the locked position.
- 11. The four locking rollers should be adjusted so that they engage the ramp of the tracks at the same time and cause the sliding panel to lift evenly and lock against the weatherseals while maintaining proper sliding roof panel to adjacent main roof side panel alignment.
- 12. Should one side or corner of the sliding panel be low or high within the opening, adjust the locking roller linkage at the slotted link at the adjusting screw (3, Fig. 1). Extend the linkage to raise the sliding roof panel and shorten the linkage to lower it.

13. Apply adhesive to the headliner panel in the area originally cemented, then carefully reinstall the sliding roof panel headlining and retainer clips.
14. Reinstall the sliding roof panel headliner retainer moldings and attaching screws and the screws located at the ends of each side retaining molding.
15. Install the locking handle escutcheon, retainer screws and locking handle.
16. Adjust front and rear sliding roof stops to provide proper locking alignment. The stops (2, Fig. 2) should be adjusted to permit the locking roller tapered bracket to enter between the stops and align the roof panel fore and aft to allow the tailgate window to enter the top channel in the sliding roof panel.

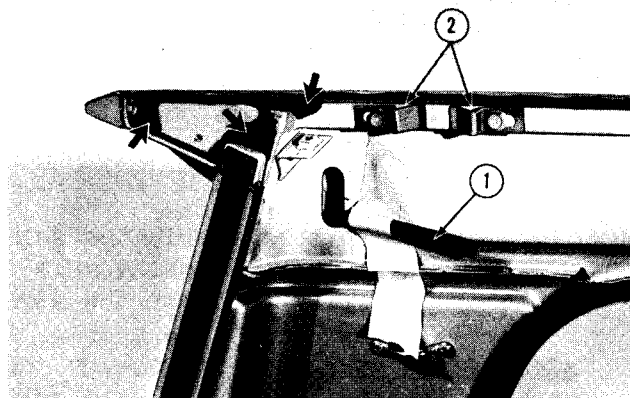


Fig. 2

1. Drain Tube 2. Stop

New Weatherseal Installation

1. Remove both quarter window top and front garnish moldings and install two larger screws in the holes provided to retain the windows in position.
2. Remove the end covers from the front of each sliding roof track.
3. Remove the side roof panel headlining rear end panels.
4. Remove the side roof headlining sections on both sides.
5. Loosen the sliding roof track retainer screws on the right side.
6. Disconnect the track drain hoses from the left track and secure with tape. (See Fig. 2.)
7. Have an assistant support the sliding roof panel.
8. Remove the sliding roof track retainer screws on the left side and remove the track. Remove any part of the windlace retainer which interferes with the track retainer screws near the front.
9. Lower the sliding roof panel on the left side as required to permit the locking and gliding rollers to be disengaged from the right track.
10. Carefully remove the sliding roof panel assembly from the vehicle and place on a clean table. Exercise caution to avoid damage or scratches to the assembly.
11. Completely remove the original sliding roof panel weatherseals. (This is important because during installation the new weatherseal must fit properly in the area and be securely cemented into position.) NOTE - Early production vehicles were equipped with a full length weatherseal cemented to the body roof panel reinforcement from left to right and two strips, one on each side, cemented to the main roof panel reinforcement. Remove and discard the weatherseals.

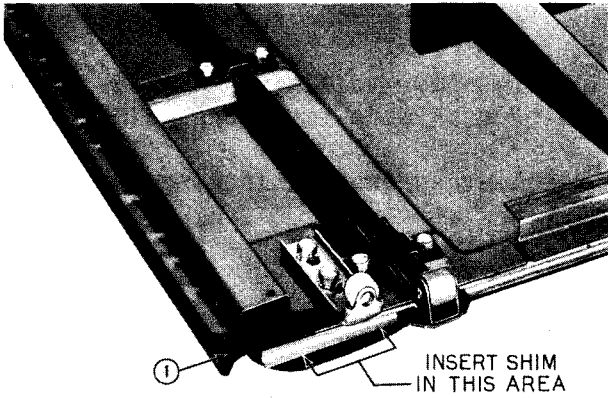


Fig. 3

1. Shim Strip

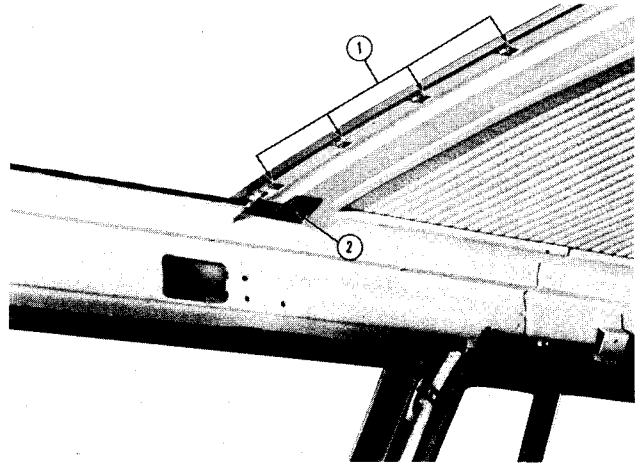


Fig. 4

1. Molding Retainers 2. Weatherseal

12. Cement one each of a fabricated shim (1/2" x 2-1/2" x 1/8" may be fabricated from regular shim stock obtainable from local parts stock) into the weatherseal groove at the front ends of the sliding roof panel in the area indicated in Figure 3. Then cement one each of these shim strips (1, Fig. 3) on the lower side of the panel directly below and slightly forward of the shim installed in each weatherstrip groove. This shim will provide an extension and cause normal leakage to fall into the track.
13. Cement and install the new Weatherseal, Part No. 1351634, into the sliding roof panel weatherseal groove. Be certain that the weatherseal is completely cemented into the groove, unstretched and lays smoothly throughout its entire length. Cut off the weatherseal ends even with the sliding roof panel at the rear.
14. Permit the weatherseal cement to dry and securely retain the weatherseal before installation of the sliding roof panel.
15. Apply sealer to the underside of the body roof rear trim molding retainers (1, Fig. 4) filling the nine retainer ends and the holes around them with a hardening type of sealer. (Eyebrow sealer is available in 1/2 pint cans from the Parts and Service Division, South Bend 27, Indiana. Order by description.)
16. Remove both of the rear roof panel (parallel to sliding roof) moldings and apply a strip of electrician's plastic tape over the full length of the pinch-welded area. (See Fig. 5.) Install the original moldings. NOTE - The rear of the body roof panel trim molding retainers must be sealed with a hardening type of sealer. The exposed ends of the nine retainers and the holes and notches around them must be sealed to prevent water from entering the clearance holes of the molding retainers and passing between the body roof panel and reinforcement. Water which is seen at the ends of this reinforcement is usually the result of water entering around the molding retainers and clearance holes.

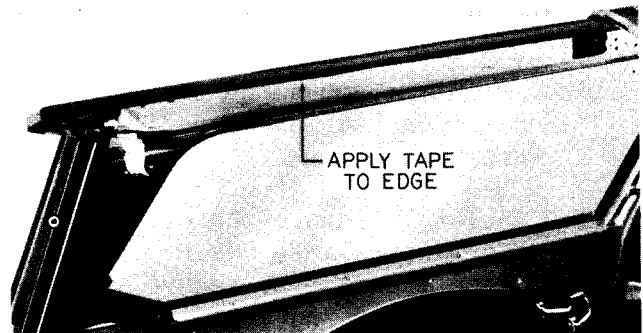


Fig. 5

17. Remove the roof side panel ends and seal the panel edges as shown. (See Fig. 2 - sealer indicated by the arrows.)

18. Install a new Weatherseal ('L' shaped), Part No. 1353898 R and 1353899 L onto the body main roof panel reinforcement. (See 2, Fig. 4.) The tapered section will point towards the center line of the body and the heavy section curved end must fit and be securely cemented to the off-set section of the main roof panel to form a lap-dam for the sliding roof panel weatherseal. The narrow thick section should be placed directly in line with the fore and aft trim moldings located on the edge of the roof side panels. Exercise careful workmanship, positive cementing, and accurate location of these seals into position.
19. Use a good light and examine the area carefully for openings and correct those which may contribute to leakage in this area.
20. Examine each of the track drain tubes for restrictions and rearrange if necessary. Test with either compressed air or water to confirm clear passages.
21. Install the sliding roof panel assembly.
22. Lift the right edge of the sliding roof panel up to the right track.
23. Engage the gliding and locking rollers over the lip and into the track.
24. Lift the sliding roof panel assembly up into position and have an assistant to support the panel in position.
25. Install the left track assembly - align and secure the attaching screws.
26. Align the right track assembly and secure the attaching screws.
27. Install the four drain tubes.
28. Check for proper alignment, closing and opening action and adjust if necessary.
29. Water leak test the vehicle to confirm corrective action.
30. Install both sliding roof track front end covers.
31. Reinstall the headlining sections and rear end panels.
32. Install the garnish moldings.

QUARTER WINDOW SEALING

Water leaks which may appear inside of the vehicle as coming from behind the rear quarter window garnish moldings and/or the rear corner panels are usually the result of an opening between the quarter window frame and the body window opening. (See Fig. 6.) A second possibility of leakage may be caused by ineffective sealing of the quarter glass weatherseal to the body opening.

Corrective Procedure

1. Use eyebrow sealer of the proper color, and completely seal the entire area between the body and the quarter window frame.

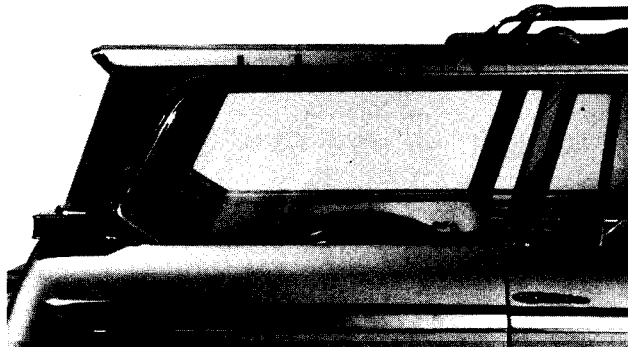


Fig. 6

2. Press the sealer in firmly and use a shop cloth saturated with solvent to form an almost invisible seal.
3. Remove any excess sealer from the area before it hardens.
4. Permit the sealer to harden then retest to confirm corrective action.

Should further leakage in the quarter window and rear corner area still exist, proceed as follows:

1. Remove the quarter window garnish molding screws and remove the garnish moldings.
2. Install a screw in the hole provided adjacent to the top of the weatherseal about midway of the window opening to retain the window in position.
3. Watertest and locate the source of water leakage and reseal as necessary.
NOTE - In some instances it may be necessary to remove the quarter window and weatherseal assembly to seal possible openings in the body adjacent to the weatherseal.
4. Remove the temporary screw then install the garnish moldings and retainer screws.

CRM/dh