



REF. NO.	PART NUMBER	DESCRIPTION	CPE-2
----------	-------------	-------------	-------

1	PEG-TOOTH HARROW	BUILT 1969 TO 1973	
---	------------------	--------------------	--

INDEX TO UNITS

DESCRIPTION	PAGE	GRD
FRAME	2	D22
HITCH	3	D23
1960	3	D23
1961 TO 1971		
PRODUCT GRAPHICS	3	D23
QUADRANT	2	D22
TOOTH BAR	2	D22

REF. NO.	PART NUMBER	DESCRIPTION	CPE-2
----------	-------------	-------------	-------

1	PEG-TOOTH HARROW	-CONTINUED	
		BUILT 1969 TO 1973	



1 PEG-TOOTH HARROW

-2-

SECTION C



1 PEG-TOOTH HARROW

-2-

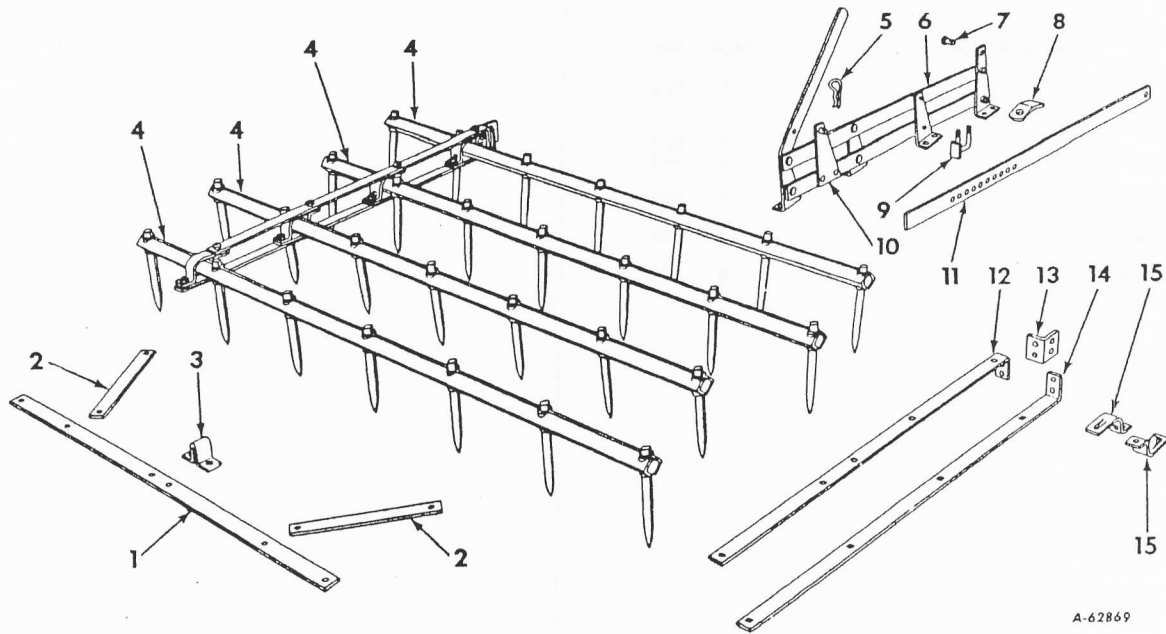
SECTION C

REF. NO.	PART NUMBER	DESCRIPTION	CPE-2
----------	-------------	-------------	-------

REF. NO.	PART NUMBER	DESCRIPTION	CPE-2
----------	-------------	-------------	-------

FRAME, TOOTH BAR AND QUADRANT

FRAME, TOOTH BAR AND QUADRANT -CONTINUED



A-62869

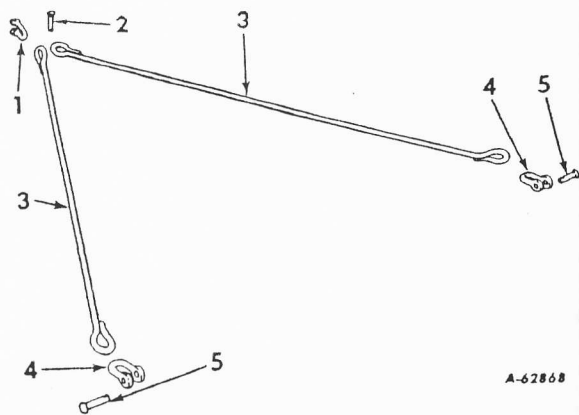
1	463 541 R2	BRACE, CROSS	
	18 474 R1	BOLT, 5/16 X 1 C-Z HEX-HD MACH	-2-
	120 376	NUT, 5/16 C-Z HEX.	-2-
	120 214	WASHER, 5/16 C-Z MED LOCK	-4-
2	464 875 R1	BRACE, DIAGONAL	-2-
	18 475	BOLT, 5/16 X 1 C-Z HEX-HD MACH	-2-
	120 376	NUT, 5/16 C-Z HEX.	-2-
	120 214	WASHER, 5/16 C-Z MED LOCK	-2-
3	463 540 R1	GUIDE, CROSS BRACE	
	18 764 R1	BOLT, 5/16 X 3/4 C-Z HEX-HD MACH	-2-
	120 376	NUT, 5/16 C-Z HEX.	-2-
	120 214	WASHER, 5/16 C-Z MED LOCK	-2-
4	459 737 R91	BAR ASSEMBLY, TOOTH	-4-
5	520 175 R1	PIN, QUICK ATTACHABLE COTTER	
6	464 878 R91	BAR ASSEMBLY, SET	
	457 623 R1	RIVET, 3/8 X 53/64 SPECIAL STEP	-6-
	463 049 R1	RIVET, 3/8 FLAT HD. STEP	-2-
7	22 073 R1	PIN, 1/2 X 7/8 C-Z STD-HD DLD	
	18 481 R1	PIN, 3/16 X 1 C-Z COTTER	
	607 895 R1	WASHER, 17/32 X 1 X 11 GA C-Z	
8	459 976 R1	SPACER, SET BAR STANDARD	-4-
9	463 050 R11	U-BOLT ASSEMBLY	-4-
	271 500	NUT, 7/16 HEX.	-8-
	120 383	WASHER, 7/16 C-Z MED LOCK	-8-
10	464 880 R11	BRACKET ASSY, QUADRANT	
11	464 882 R1	QUADRANT	
	104 112	RIVET, 3/8 X 7/8 BUTTON HD. ANN.	-2-
12	464 876 R1	FRAME SIDE, UPPER	-2-

13	464 186 R1	ANGLE, DRAW	-2-
	18 475	BOLT, 5/16 X 1 C-Z HEX-HD MACH	-4-
	120 376	NUT, 5/16 C-Z HEX.	-4-
	120 214	WASHER, 5/16 C-Z MED LOCK	-2-
14	464 877 R1	FRAME SIDE, LOWER	-2-
15	463 539 R1	BEARING, TOOTH BAR	-16-
	19 007 R1	BOLT, 5/16 X 1 C-Z NO. 3 PLOW	-8-
	18 475	BOLT, 5/16 X 1 C-Z HEX-HD MACH	-2-
	18 474 R1	BOLT, 5/16 X 1 C-Z HEX-HD MACH	-16-



REF. NO.	PART NUMBER	DESCRIPTION	CPE-2
----------	-------------	-------------	-------

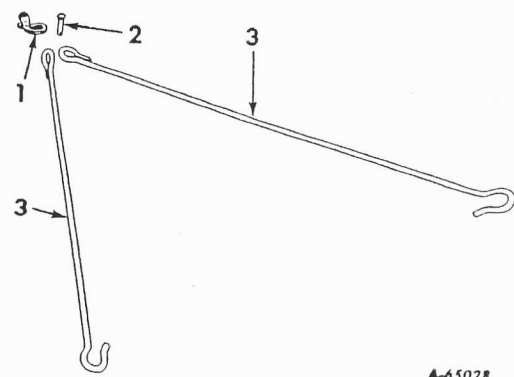
HITCH -1960-



- | | | |
|------|-------------|---|
| 1 | 459 842 R1 | CLEVIS, HITCH |
| 2 Y | 2 208 | PIN, 1/2 X 2-5/16 DLD-STD-HD |
| 3 | 465 448 R91 | LINK, BAIL -ORDER TWO LINK, 463 480 R1 & ONE CLEVIS, P 1 597- |
| 4 | 455 369 R2 | CLEVIS, CHAIN SHACKLE -2- |
| 5 NA | 141 | PIN, 1/2 X 1-7/8 DLD-STD-HD -2- |
| | 103 408 | PIN, 3/16 X 1-1/4 COTTER -2- |

REF. NO.	PART NUMBER	DESCRIPTION	CPE-2
----------	-------------	-------------	-------

HITCH -1961 TO 1971-



- | | | |
|------|------------|------------------------------|
| 1 P | 1 597 | CLEVIS, HITCH |
| | 520 175 R1 | PIN, QUICK ATTACHABLE COTTER |
| 2 NA | 141 | PIN, 1/2 X 1-7/8 |
| 3 | 463 480 R1 | LINK, BAIL -2- |

PRODUCT GRAPHICS

- | | | |
|---|------------|---|
| 1 | 001 412 R2 | PRODUCT GRAPHICS, 1H DECAL -ON RH SIDE OF QUADRANT BRACKET- |
|---|------------|---|



1 PEG-TOOTH HARROW

-4-

SECTION C



1 PEG-TOOTH HARROW

-4-

SECTION C

REF. NO.	PART NUMBER	DESCRIPTION	CPE-2
----------	-------------	-------------	-------

REF. NO.	PART NUMBER	DESCRIPTION	CPE-2
----------	-------------	-------------	-------